

NEW!

Modular design Weigh Cell SW-M-FS



Stainless steel with Wash Down mode IP 65 for CIP

for track distances from 50 mm

Description

The series SW-M-FS Weigh Cells cover the weighing range up to 2,000 g. They have been specifically conceived as compact sensor components, meaning they are especially suited for installation into multi-track applications and everywhere where smallest frame sizes are demanded.

By using GMP-tailored construction, all Weigh Cells are also suitable for use in pharmaceutical industrial plants with CIP (Cleaning In Place).

All Weigh Cells in the SW-M-FS series operate based on the principle of Electro Magnetic Force Restoration (EMFR). The system dependent active self-damping ensures the shortest possible measuring times while maintaining the highest resolution.

The Weigh Cell comes standard equipped - in connection with a separate electronic box - to supply "output weighing values" via a CAN, RS 422, Profibus DP- or Ethernet/IP interface as ready-to-connect modular components. The integrated software filters can be configured in many ways, enabling optimal adaptation of the weighing system to the respective ambient conditions. The Weigh Cells extensive command set facilitates simplified control engineering integration. Complemented by a variety of options, the Weigh Cell can also fulfill very specific requirements.

The Weigh Cell is used in

- ▶ Filling and packaging machines
- ▶ Special machine manufacturing
- ▶ Multi-track weighing systems
- ▶ In-Process-Control applications
- ▶ CIP (Cleaning In Place)

Features

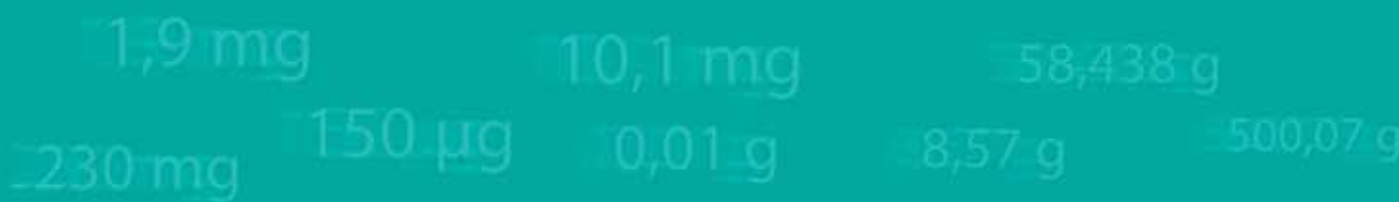
- ▶ Weighing range up to 2,000 g, covered by 2 models
- ▶ Additive dead load range up to 600 g
- ▶ Slim construction in stainless steel housing with separate electronic box
- ▶ Multi-track applications starting from 50 mm centerline distance
- ▶ Closing mechanism for cleaning purposes (optional)
- ▶ Interface 1: CAN, RS 422, Profibus DP, Ethernet/IP (optional)
- ▶ Interface 2: RS 232
- ▶ Sampling rate 1 ms

Options

- ▶ Option 10: RS 422 instead of CAN interface
- ▶ Option 11: Bus operation (standard)
- ▶ Option 12: Higher display resolution
- ▶ Option 13: Binary I/O channels (standard)
- ▶ Option 14: Filling algorithm
- ▶ Option 29: Wash Down mode
- ▶ Option 35: Profibus DP instead of CAN interface
- ▶ Option 36: Ethernet/IP instead of CAN interface



precision, that pays...



Technical data

Weigh Cell type	SW-M 1000/600-FS	SW-M 2000/600-FS
Weighing range	1000 g	2000 g
Electrically adjustable dead load range	600 g	600 g
Display value (d)	0,005 g	0,01 g
³⁾ Display value with higher resolution (Option)	0,002 g	0,005 g
Linearity ≤	± 0,004 g	± 0,01 g
¹⁾ Repeatability (S)≤	0,002 g	0,005 g
Maximum dimensions of weighing platform	80 x 80 mm	
^{1) 2)} Settling time (on 1‰ of final value)	< 120 ms	
Protection class of the Weigh Cell	IP 44 / ⁴⁾ IP 65	
Temperature range	+5 ... +40 °C	
Power supply nominal	24 VDC, ± 5 %, 0,5 A	
⁵⁾ Interface 1	CAN, RS 422, Profibus DP, Ethernet/IP	
Interface 2	RS 232	
Housing material	Stainless steel AISI 316L	

¹⁾ Depends on the preference settings and on setup and ambient conditions of the system. The absolute repeatability is +/- 3 s

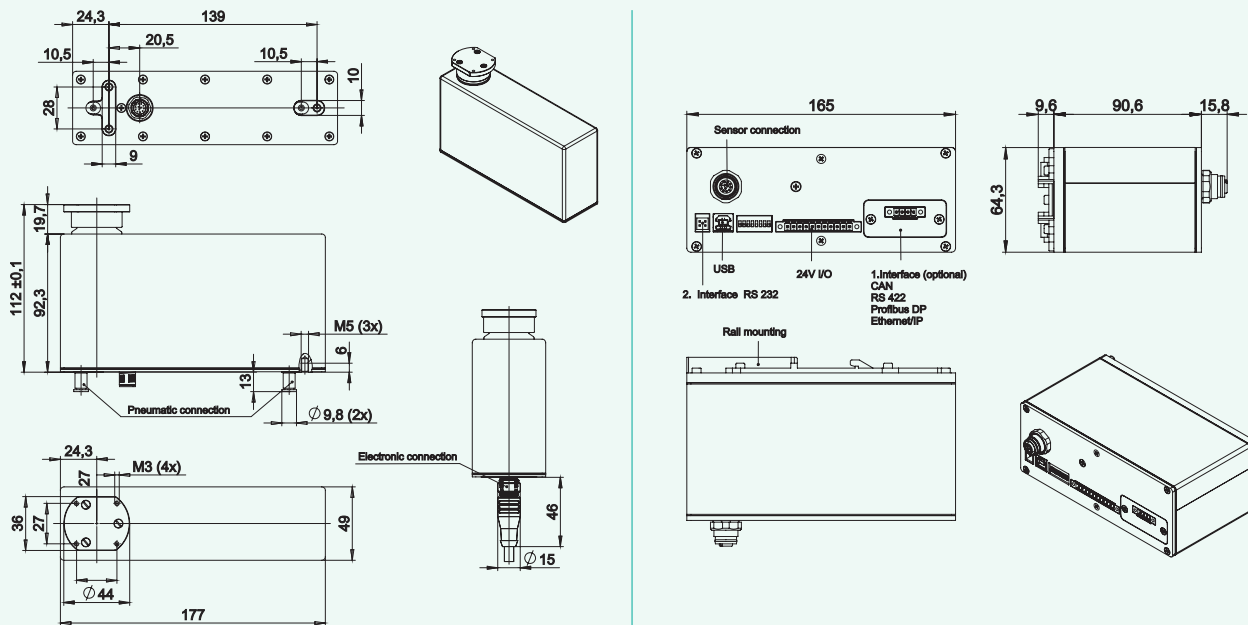
²⁾ Weighing time = settling time plus (adjustable) measuring time

³⁾ Temperature range: + 10°C...+30°C. Display value with higher resolution

⁴⁾ Protection class IP 65 as option with closing mechanism for cleaning purposes

⁵⁾ In separate electronic box with maximum 3 m cable connection

Dimensions



Headquarters

Wipotec GmbH
 Adam-Hoffmann-Straße 26
 67657 Kaiserslautern, Germany
 T +49.631.34146-0
 F +49.631.34146-8690
 info@wipotec.com
 www.wipotec.com

Wipotec Italia s.r.l.
 Piazzale Dateo 2
 20129 Milano, Italia
 T +39.02.73952424
 F +39.02.76115675
 info@wipotec.it
 www.wipotec.it

Wipotec North America
 3605 Sandy Plains Road, Suite 240-281
 Marietta, Georgia 30066, USA
 T +1.404.775.5091
 F +1.770.509.5524
 info.usa@wipotec.com
 www.wipotec.com