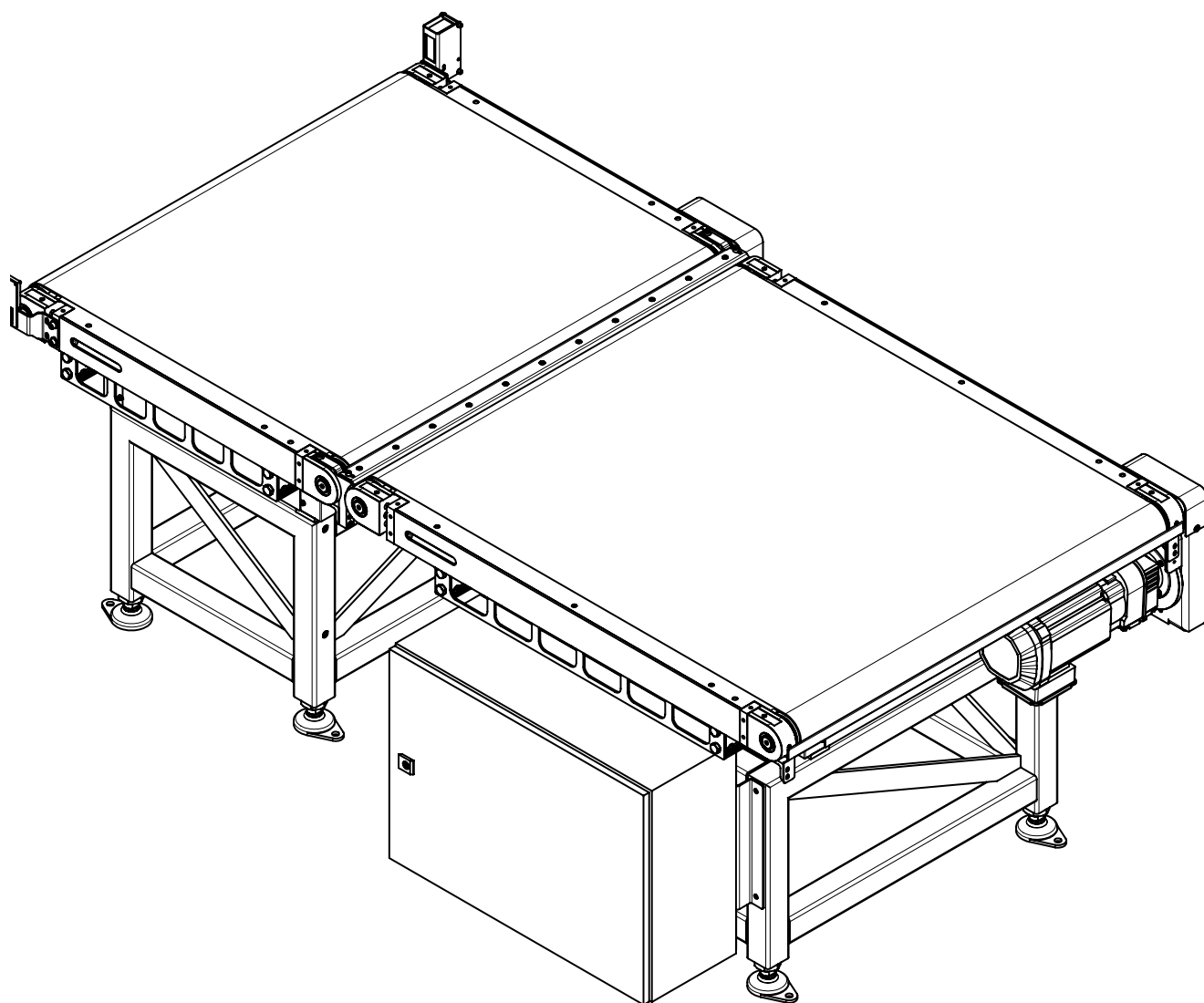


/ HC-FL-2

Mail & Logistic



/ Technical Data **HC-FL-2**

Application: CEP, E-commerce, Intralogistics, Industry

Basic Data

| Machine Type | HC-FL-2 |
|-----------------------|---|
| Material of machine | powder-coated steel frame in robust tubular frame design (RAL 7035) |
| Unit weight | ca. 460 kg |
| Protection class | IP54 |
| Temperature range | 0 °C (+5) to +40 °C (depending on application) |
| Transport speed | max > 3.4 m/s ² |
| Drive | Standard: 3 x asynchronous, upgradeable to 6 |
| Working height | 450–550 ¹ /550–650 ¹ /600–700/650–750/700–800 ... bis 1,100–1,200 mm ² |
| Noise level | max. 65 dB |
| Rated voltage control | L1/N/PE 115/230 VAC ² |
| Rated voltage drive | L3/N/PE 380/460 VAC ² |
| Rated frequency | 50/60 Hz |
| Connected load | 2.6–3.8 kVA |
| Approvals | MID ² |

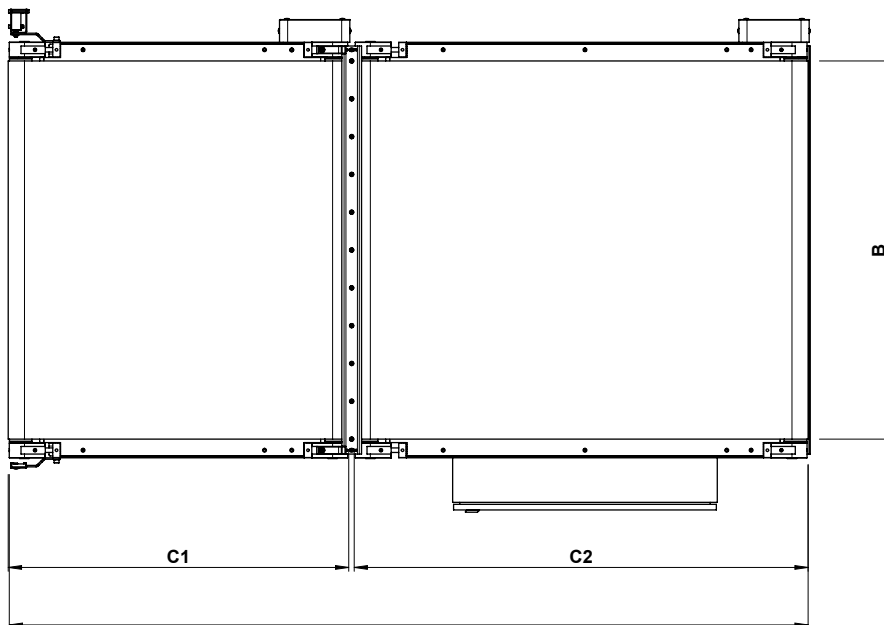
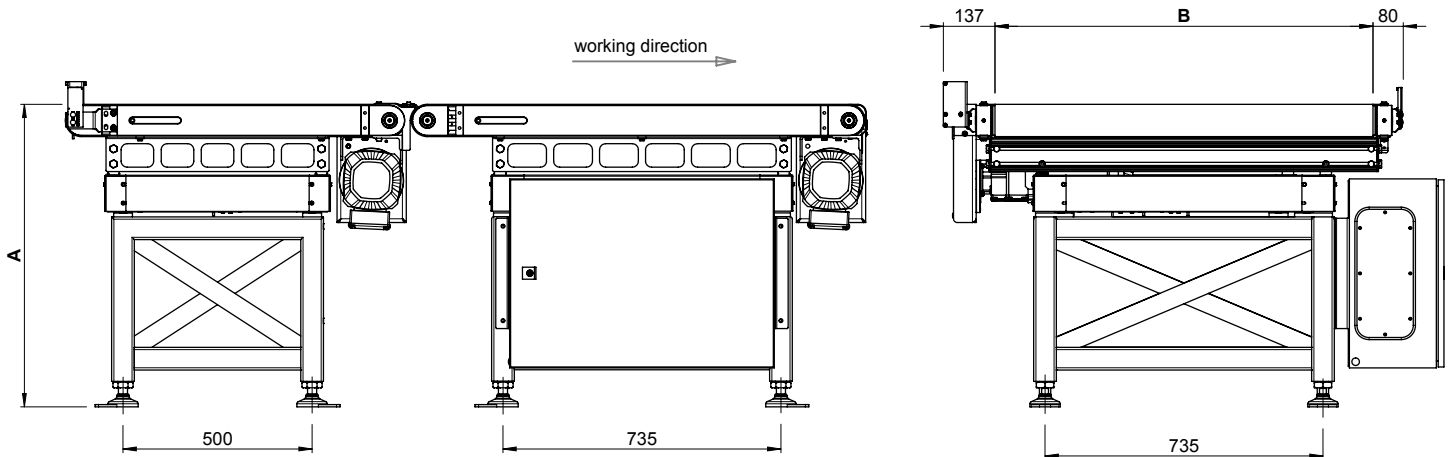
Controller Data

| Machine Type | HC-FL-2 |
|----------------------------|--|
| Display and operation | 5.7" / 10.4" colour-TFT display with touch screen VGA-resolution |
| Available dialog languages | English, French, German, Dutch, Italian, Danish, Finnish, Bosnian, Portuguese, Croatian, Turkish, Spanish, Russian, Polish, Hungarian, Swedish, Czech, Slovak ² |
| Interfaces | 4 serial, optional: RS232, RS422, RS485 2 x Ethernet, 1 x Fieldbus (Profinet or Ethernet-IP) |
| Alibi storage | optional |
| Digital I/O | 1 Input (upgradeable to 8) ² 2 Outputs (upgradeable to 4) ² |

¹ Working height only possible with free-standing control cabinet

² Further on request

/ Technical Drawing **HC-FL-2**



- A Working height
- B Conveyor width
- C Conveyor length

All measurements in mm
 Drawing shows sample version

Headquarters

WIPOTEC GmbH
 Adam-Hoffmann-Str. 26
 67657 Kaiserslautern
 Germany

T +49 631 34146-0
 F +49 631 34146-8690
 info@wipotec.com
 wipotec.com

