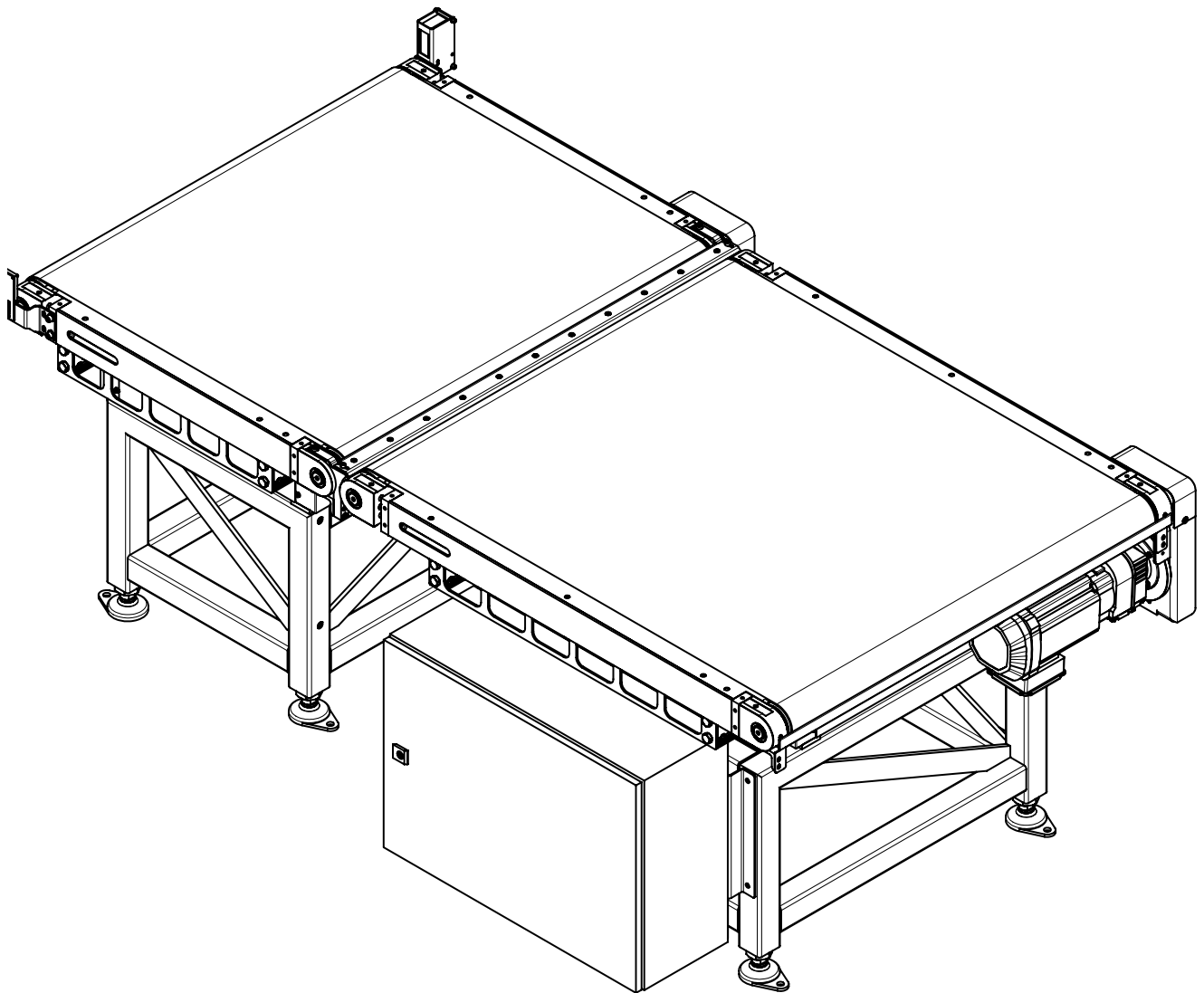


/ HC-FL-2

Mail & Logistic



/ Technical Data **HC-FL-2**

Application: CEP, E-commerce, Intralogistics, Industry

Basic Data

Machine Type	HC-FL-2
Material of machine	powder-coated steel frame in robust tubular frame design (RAL 7035)
Unit weight	ca. 460 kg
Protection class	IP54
Temperature range	+5 °C to +40 °C
Transport speed	2.9 m/s
Drive	Standard: 3 x asynchronous, upgradeable to 6
Working height	500–600 ¹ /550–650 ¹ /600–700/650–750/700–800/750–850/800–900/850–950/ 900–1,000/950–1,050/1,000–1,100/1,050–1,150/1,100–1,200 mm ²
Noise level	max. 65 dB
Rated voltage control	L1/N/PE 115/230 VAC
Rated voltage drive	L3/N/PE 380/460 VAC
Rated frequency	50/60 Hz
Connect load	2.6–3.8 kVA
EC-certified	MID ²

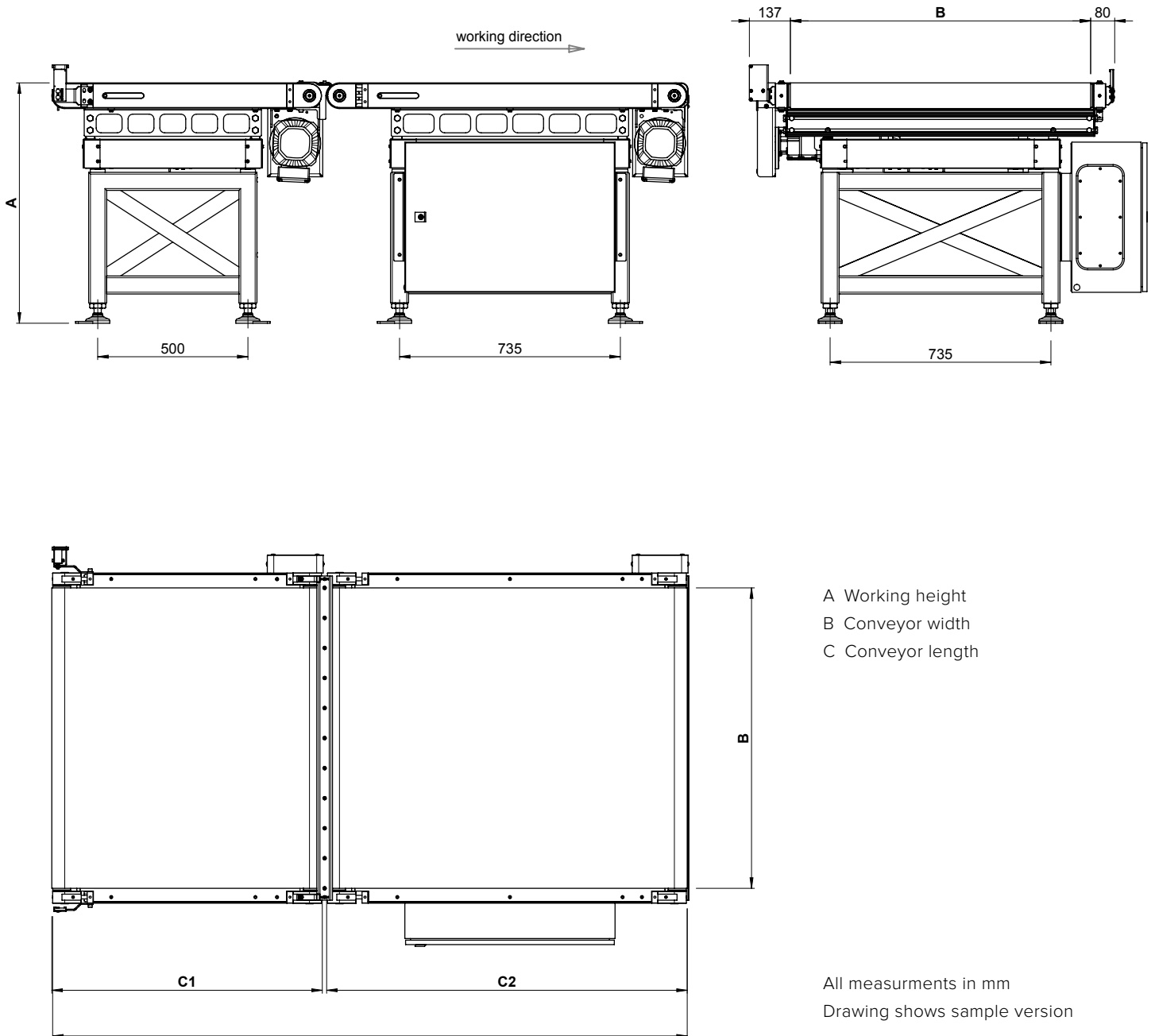
Controller Data

Machine Type	HC-FL-2
Display and operation	5.7" / 10.4" colour-TFT display with touch screen VGA-resolution
Available dialog languages	English, French, German, Dutch, Italian, Danish, Finnish, Bosnian, Portuguese, Croatian, Turkish, Spanish, Russian, Polish, Hungarian, Swedish, Czech, Slovak ²
Interfaces	4 serial, optional: RS232, RS422, RS485 2 x Ethernet, 1 x Fieldbus (Profinet or Ethernet-IP)
Alibi storage	optional
Digital I/O	1 Input (upgradeable to 8) 2 Outputs (upgradeable to 4)

¹ Working height only possible with free-standing control cabinet

² Further on request

/ Technical Drawing **HC-FL-2**



Headquarters

WIPOTEC GmbH
Adam-Hoffmann-Str. 26
67657 Kaiserslautern
Germany

T +49 631 34146-0
F +49 631 34146-8690
info@wipotec.com
wipotec.com

WIPOTEC 