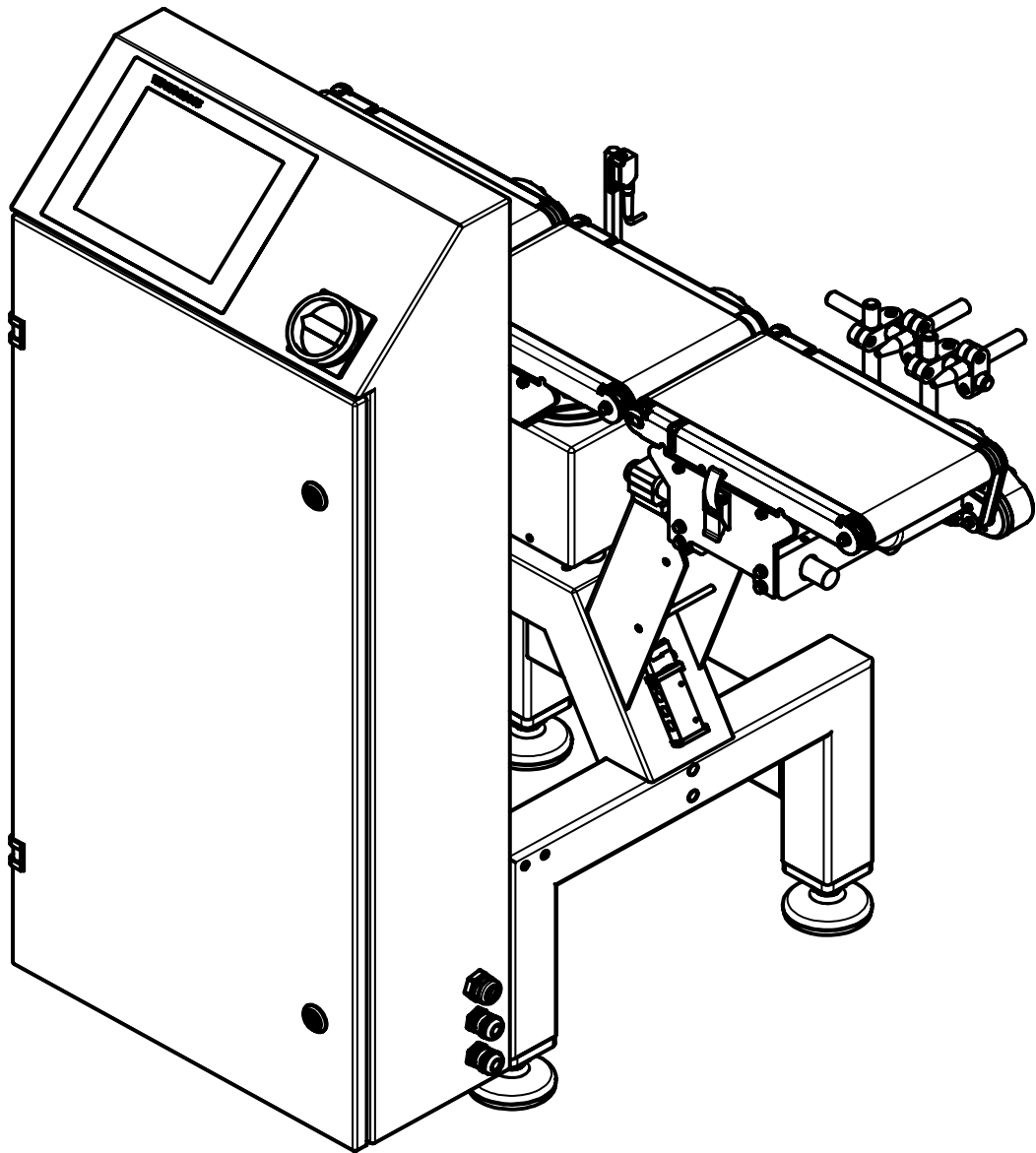


# EC-E-VA

TECHNICAL DATA

CW



# COMPACT TECHNOLOGY IN STAINLESS STEEL DESIGN FOR USE IN WET ENVIRONMENTS

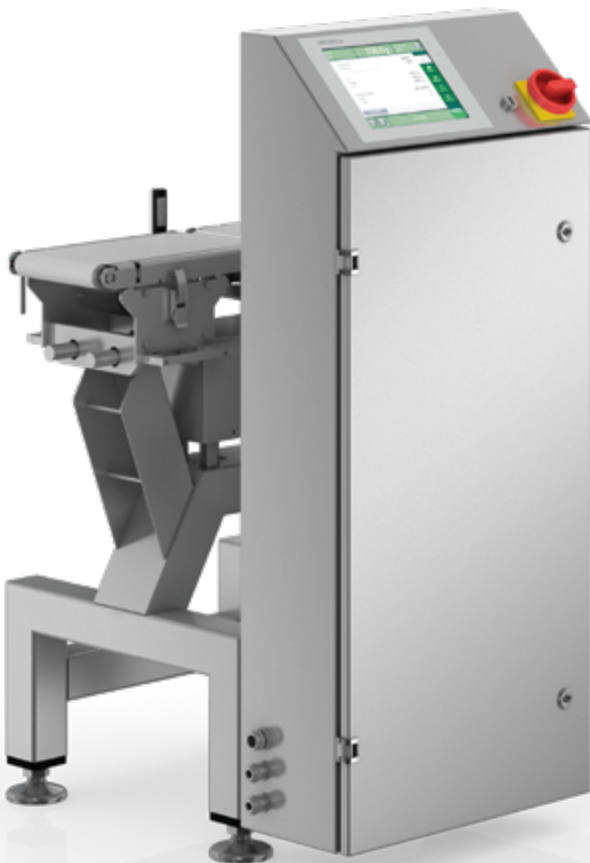
**EC-E VA**

The **EC-E-VA** model has an innovative design with weigh cells, drives, and belt construction in stainless steel (protection class IP65) and is recommended for use in light to average humidity environments.

The Wipotec-Weigh Cell used operates on the principle of Electro-Magnetic Force Restoration (EMFR) and stands for the fastest high precision measurement results. The EC-E-VA is fast and easy to integrate in

any production line. This machine is your reliable instrument for optimal efficiency with up to 150 weight values per minute. Like all other checkweighers, the EC-E-VA

has a simple and intuitive user interface. The EC-E-VA proves to be a reliable high-tech solution with a very good price-performance ratio, especially in the foods sector.



## MAIN FEATURES

- ✔ Innovative design in stainless steel
- ✔ User friendly interface via 8" colour TFT touch screen display

## YOUR BENEFITS

- ✔ High throughput rate of up to 150 ppm
- ✔ Precise and reliable weighing results to increase plant efficiency
- ✔ Very good price-performance ratio
- ✔ Requirements-based modularity for the greatest flexibility

# TECHNICAL DATA

EC-E VA

## BASE DATA

<b>Material of machine</b>	Stainless steel V2A/AISI 304
<b>Machine weight (standard application)</b>	100 kg
<b>Shipping weight (standard application)</b>	140 kg
<b>Protection class</b>	IP65
<b>Temperature range</b>	+5 °C to +40 °C
<b>Display and operation</b>	8" colour TFT display with touchscreen
<b>Available dialog languages</b>	Bosnian, Chinese, Croatian, Czech, Danish, Dutch, English, Finnish, French, German, Greek, Hungarian, Italian, Japanese, Latvian, Lithuanian, Polish, Portuguese, Russian, Slovak, Slovenian, Spanish, Swedish, Turkish (other languages on request)
<b>Interfaces <sup>1)</sup></b>	Optionally: Ethernet, RS232, RS422, RS485
<b>Max. output <sup>2)</sup></b>	150 pcs/min
<b>Digital I/O</b>	8xI + 12xO
<b>Product parameter storage</b>	50 PPS (optionally 100 / 200 PPS)
<b>Drive</b>	Servo-Technology
<b>Noise level <sup>2)</sup></b>	A-weighted emission sound pressure level under 70dB(A)
<b>Rated voltage</b>	L1/N/PE; 100-240 VAC
<b>Rated frequency</b>	50/60 Hz
<b>Connect load (power capacity)</b>	Approx. 0.8 kVA
<b>Compressed air supply (option)</b>	8 bar approx. 10NI/min quality class (according to ISO 8573-1) [5:3:3]
<b>Possible maximum numbers of connected motors</b>	3 motors (optionally 1 extendible)
<b>EU-type examination certificate</b>	DE-18-MI006-PTB001 (MID)

## WEIGHING DETAILS

	<b>Weigh Cell</b> (Type)	<b>GWR</b> (Gross weighing range)	<b>Dead load</b> max.	<b>e</b> (min. calibration value)	<b>d</b> (Displayed value)	<b>Standard deviation <sup>2)</sup></b> (1s)	<b>n</b> (Scale division)
<b>EC-E-VA-1</b>	<b>EC-4000-E</b>	1,500 g	8,500 g	≥ 0.5 g	≥ 0.2 g	from 150 mg	3,000
<b>EC-E-VA-2</b>	<b>EC-4000-E</b>	3,000 g	8,500 g	≥ 1.0 g	≥ 0.5 g	from 150 mg	3,000
<b>EC-E-VA-3</b>	<b>EC-4000-E</b>	6,000 g	8,500 g	≥ 2.0 g	≥ 1.0 g	from 150 mg	3,000

1) Optionally, surcharge

2) Depending on product shape, product behavior, transport speed and environmental condition

# TECHNICAL DATA

EC-E VA

## CONVEYOR DIMENSIONS

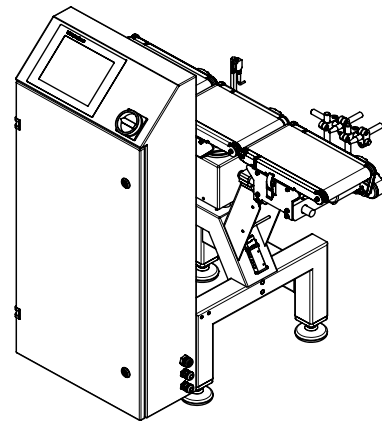
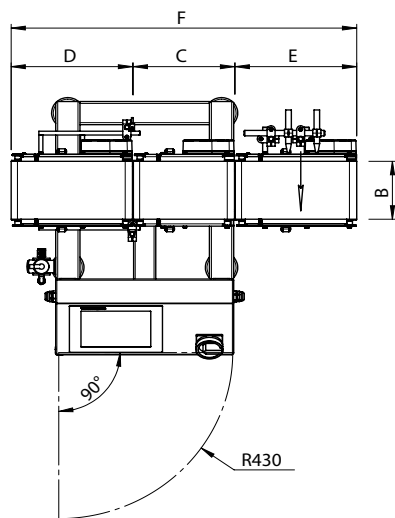
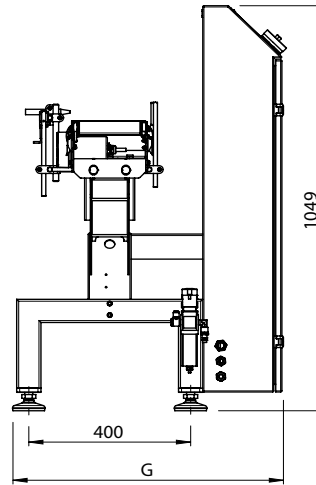
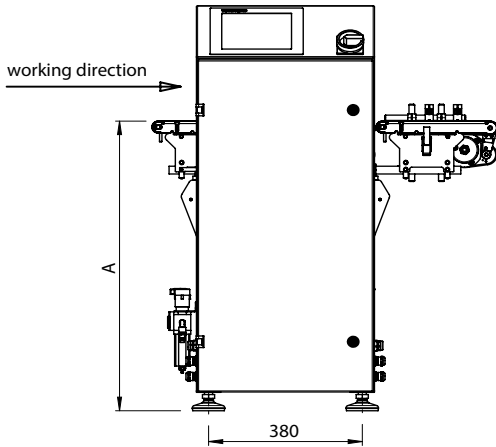
		Dimensions weighing conveyor		
length \ width	150 mm	250 mm	350 mm <sup>1)</sup>	
250 mm	X	-	-	
300 mm	X	X	-	
400 mm	X	X	X	
500 mm <sup>1)</sup>	X	X	X	

		Dimensions infeed / outfeed conveyor		
length \ width	150 mm	250 mm	350 mm <sup>1)</sup>	
300 mm	X	X	-	
400 mm	X	X	X	
500 mm	X	X	X	
600 mm	X	X	X	

1) Optionally, surcharge

# MACHINE DIMENSIONS

EC-E VA



<b>A = Working height<sup>1)</sup></b>	650-800 <sup>2)</sup> / 750-900 / 850-1,000 / 950-1,100 <sup>2)</sup> mm
<b>B = Conveyor width</b>	150 / 250 / 350 <sup>2)</sup> mm
<b>Conveyor technology VA35E</b>	roller diameter 35 mm
<b>C = Weighing conveyor length</b>	250 / 300 / 400 / 500 <sup>2)</sup> mm
<b>D = Infeed conveyor length</b>	300 / 400 / 500 / 600 mm
<b>E = Outfeed conveyor length</b>	300 / 400 / 500 / 600 mm
<b>F = Total length</b>	D + C + E + 10 mm
<b>G = Total width</b>	670 mm depending on machine configuration

1) Working height must be specified when ordering

2) Optionally, surcharge

These specifications are reference values of the standard machine excluding application- or weighing-specific add-on parts.  
All entries in mm | Drawing shows design example

