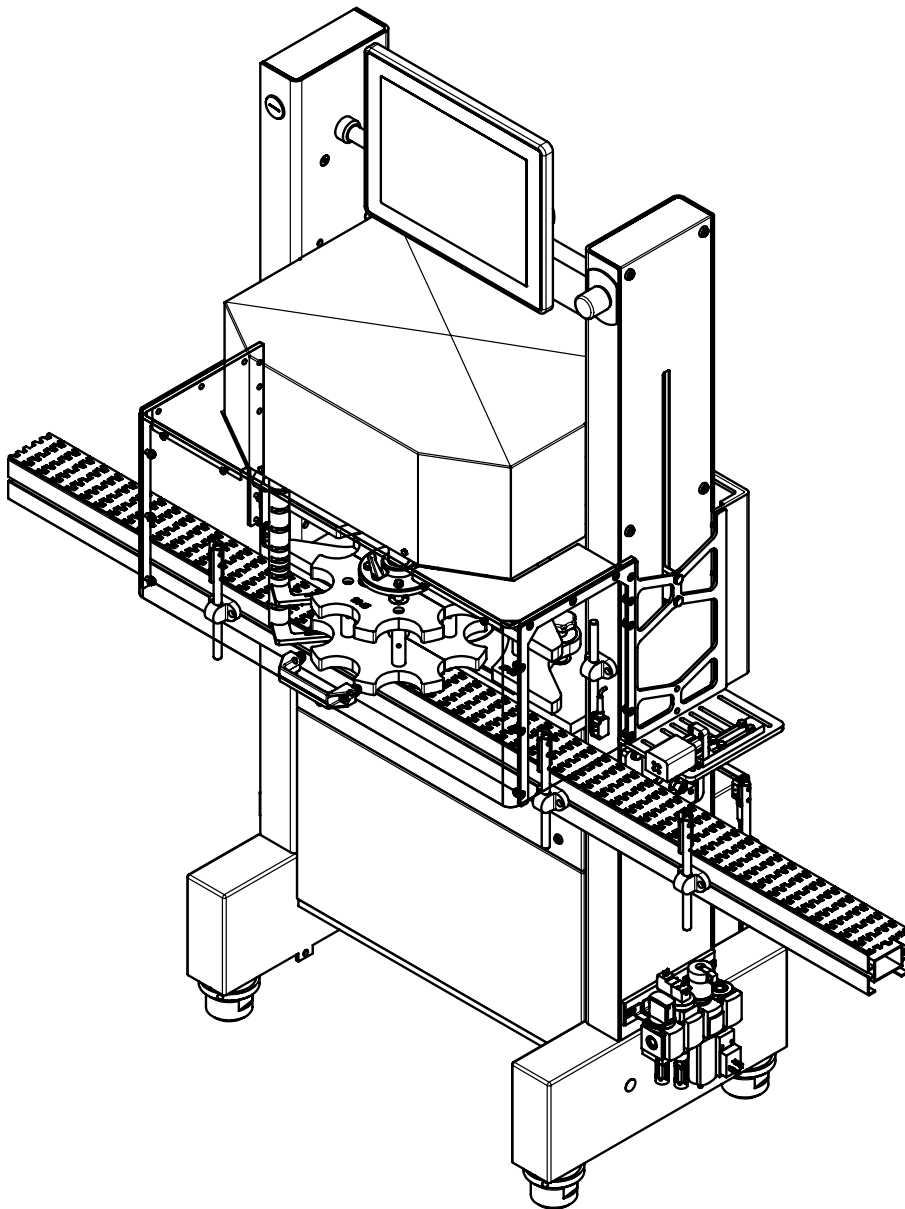


HC-A-IS

TECHNICAL DATA

CW



RELIABLE WEIGHING OF CYLINDRICAL PRODUCTS

HC-A IS

The **HC-A-IS** is a special machine version of the HC-A for weighing wobbly, cylindrical products (e.g. aerosol cans, etc.) with high throughput and accuracy. The checkweigher is placed at any point on the existing production line. The product handling rotary star wheel of the weighing system projects over the existing transport lane so integrating it does not require any disconnection of the production line.

A wide and coordinated range of sorting devices is available for the rejection of products with incorrect weight. The use of a high-tech weigh cell from Wipotec, which works on the principle of electro-magnetic force restoration (EMFR), guarantees the best technology for excellent weighing results.

The easily replaceable, positively-driven, two-part star wheel removes products from the main product flow. The products are sorted, separated, and weighed individually and then returned to the production line. Under- or overweight products are automatically sorted out.

The intuitive user interface ensures convenient operation via clearly structured, 15-inch colour TFT display with touchscreen.



MAIN FEATURES

- ✔ High-precision weighing of wobbly and cylindrical products
- ✔ Available as single and double lane version
- ✔ Wipotec EMFR weigh cell
- ✔ Easy, menu-driven operation via 15" colour TFT display with touchscreen
- ✔ Small footprint
- ✔ Quick and easy format change
- ✔ Wide variety of sorting devices matched to your products
- ✔ Option to control the filling machine using fast feedback or trends

YOUR BENEFITS

- ✔ Output up to 400 pieces/minute
- ✔ Easy and user-friendly operation to increase efficiency
- ✔ Exact fill results for highest productivity
- ✔ Short set-up times thanks to easy format change
- ✔ ADD-on solution Line integration without separation
- ✔ Stable, positively driven product handling for increasing efficiency

TECHNICAL DATA

HC-A IS

BASE DATA

| | | |
|---|--|-----------------------|
| Material of machine | Frame stainless steel V2A/AISI 304 | |
| Machine weight (standard application) | 350 kg | |
| Shipping weight (standard application) | 400 kg | |
| Protection class | IP65 | |
| Temperature range | +5 °C to +40 °C | |
| Display and operation | Tilttable 15" colour TFT display with touchscreen | |
| Available dialog languages | Bosnian, Chinese, Croatian, Czech, Danish, Dutch, English, Finnish, French, German, Greek, Hungarian, Italian, Japanese, Latvian, Lithuanian, Polish, Portuguese, Russian, Slovak, Slovenian, Spanish, Swedish, Turkish (other languages on request) | |
| Interfaces ¹⁾ | Optionally: Ethernet, OPC, Profibus, ProfiNet, EtherNet/IP, RS232, RS422, RS485 | |
| Max. output ²⁾ | HC-A-IS 100 pcs/min | HC-A-IS-D 180 pcs/min |
| Digital I/O | 8xI + 8xO (optionally extendible) | |
| Product parameter storage | 100 PPS (optionally 200 / 400 PPS) | |
| Drive | Servo-Technology automatic cropping on the weighing platform | |
| Noise level ²⁾ | A-weighted emission sound pressure level under 70dB(A) | |
| Rated voltage | L1/N/PE optionally 115 VAC or 230VAC | |
| Rated frequency | 50/60 Hz | |
| Connect load (power capacity) | Approx. 0,8 kVA - 1,0 kVA | |
| Compressed air supply (option) | 6 bar approx. 16NI/min quality class (according to ISO 8573-1) [5:3:3] | |
| Possible maximum numbers of connected motors | 1 motor (optionally 3 extendible) | |
| EU-type examination certificate | DE-18-MI006-PTB001 (MID) | |

WEIGHING DETAILS

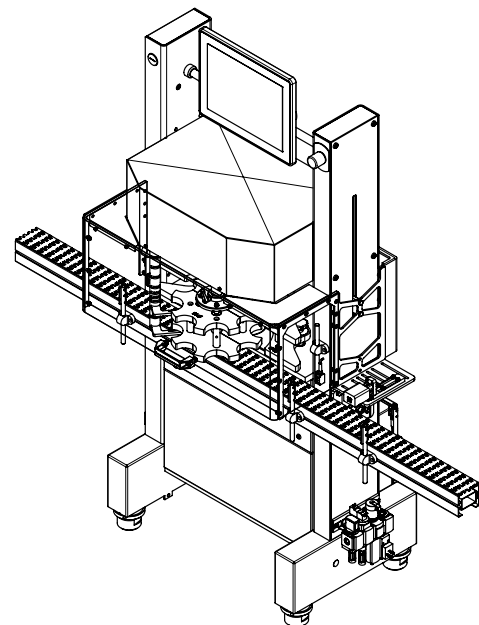
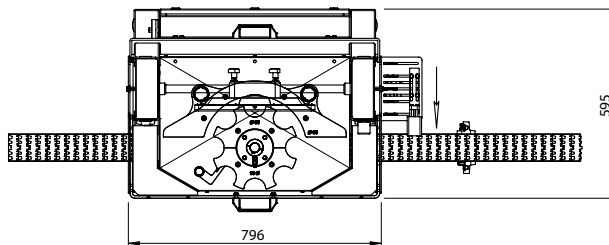
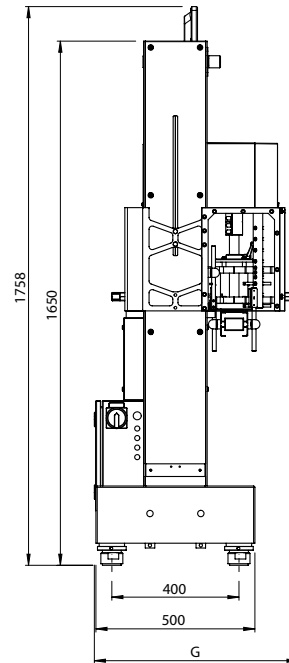
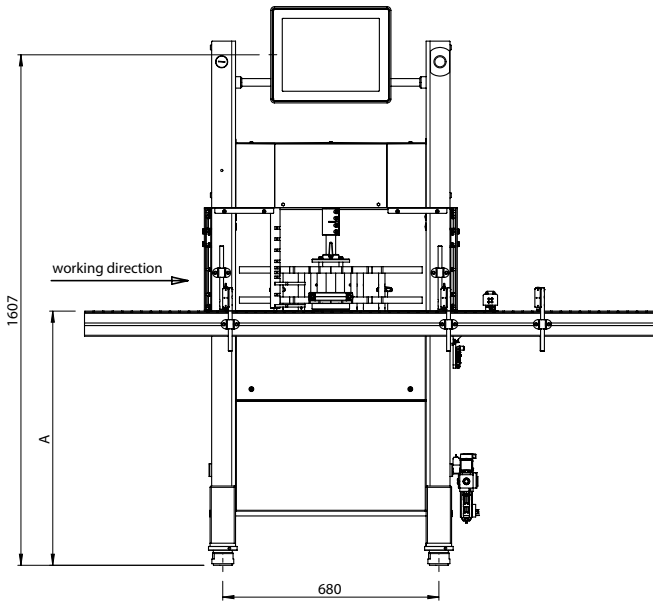
| | Weigh Cell (Type) | GWR (Gross weighing range) | Dead load max. | e (Min. calibration value) | d (Displayed value) | Standard deviation ²⁾ (1s) | n (Scale division) |
|-----------------------|-----------------------------|--------------------------------------|--------------------------|--------------------------------------|-------------------------------|---|------------------------------|
| HC-A-IS-2000-2 | EC-2000-2 | 750 g | 4,000 g | ≥ 0.1 g | ≥ 0.01 g | from 50 mg | 7,500 |
| HC-A-IS-2000-1 | EC-2000-1 | 1,000 g | 4,000 g | ≥ 0.2 g | ≥ 0.02 g | from 50 mg | 7,500 |
| HC-A-IS-MI | SW-D-FS | 200 g | 600 g | ≥ 0.02 g | ≥ 0.002 g | from 5 mg | 10,000 |
| HC-A-IS-D | SW-D-FS | 2 x 750 g | 1,000 g | ≥ 0.1 g | ≥ 0.01 g | from 50 mg | 7,500 |

1) Optionally, surcharge

2) Depending on product shape, product behavior, transport speed and environmental condition

MACHINE DIMENSIONS

HC-A IS



| Format | Diameter Height |
|-------------------|-------------------------|
| 8 star deviation | ø 51 - 80 mm H 300 mm |
| 12 star deviation | ø 36 - 50 mm H 270 mm |
| 16 star deviation | ø 20 - 35 mm H 200 mm |

| | |
|--|---|
| A = Working height¹⁾ | 700-850 / 800-950 / 900-1,050 mm |
| G = Total width | 650 mm depending on machine configuration |

1) Working height must be specified when ordering

These specifications are reference values of the standard machine excluding application- or weighing-specific add-on parts.
All entries in mm | Drawing shows design example

