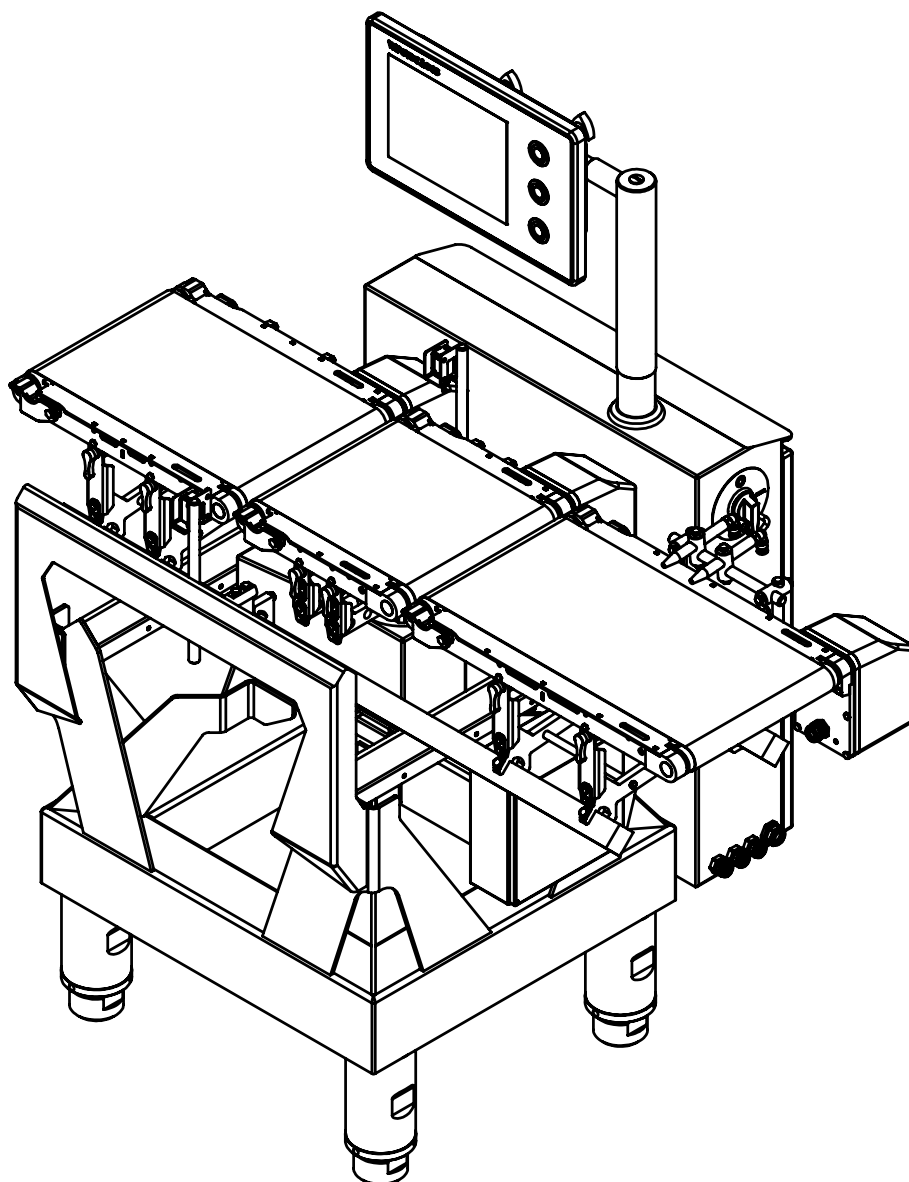


HC-M-WD

TECHNICAL DATA

CW



WASH-DOWN DESIGN FOR UNIVERSAL USE AND MAXIMAL HYGIENE

HC-M WD

The **HC-M-WD** from Wipotec provides a reliable and robust checkweigher in an innovative, hygienic wash-down design. This model meets all statutory provisions for the food processing industry like IFS-compliant product control, and HACCP or LMHV/FDA (Food Hygiene Regulations).

Wipotec developed these dynamic checkweighers, which deliver outstanding values in terms of precision and throughput, to be maintenance-free, with stainless servo motors for use in operations with intensive and frequent cleanings. The well-designed performance features of the HC-M-WD model satisfy all cleaning criteria and the most stringent hygienic requirements of the food industry.

Rounded surfaces and defined drip edges in combination with an open design and protection class IP69K provide the best conditions for optimal hygiene. Ease of cleaning is ensured by the tool-free removal of the belts (excenter). An optional cleaning program package enables risk-free cleaning while in operation. The machine underframe is also hygienically designed. The stainless steel

design of the precision weigh cell with sloping housing and separate base for a vibration-free integration in the machine frame ensures reliable and highly precise results.



WICHTIGSTE FEATURES

- ✔ Solid and hygienic stainless steel construction
- ✔ Protection class IP69K for all components

IHRE BENEFITS

- ✔ Compact design for easy integration
- ✔ Cleaning mode (optional) for highest hygiene and efficiency

TECHNICAL DATA

HC-M WD

BASE DATA

Material of machine	Stainless steel V2A/AISI 304
Machine weight (standard application)	250 kg
Shipping weight (standard application)	320 kg
Protection class	IP69K
Temperature range	-5 °C to +40 °C
Display and operation	Rotatable and tiltable 10,4" colour TFT display with touchscreen
Available dialog languages	Bosnian, Chinese, Croatian, Czech, Danish, Dutch, English, Finnish, French, German, Greek, Hungarian, Italian, Japanese, Latvian, Lithuanian, Polish, Portuguese, Russian, Slovak, Slovenian, Spanish, Swedish, Turkish (other languages on request)
Interfaces ¹⁾	Optionally: Ethernet, OPC, Profibus, ProfiNet, EtherNet/IP, RS232, RS422, RS485
Max. output ²⁾	250 pcs/min
Digital I/O	8xI + 8xO (optionally extendible)
Product parameter storage	100 PPS (optionally 200 / 400 PPS)
Drive	Servo-Technology
Noise level ²⁾	A-weighted emission sound pressure level under 70dB(A)
Rated voltage	L1/N/PE 100-240 VAC
Rated frequency	50/60 Hz
Connect load (power capacity)	Approx. 0.8 kVA
Compressed air supply (option)	6 bar approx. 16NI/min quality class (according to ISO 8573-1) [5:3:3]
Possible maximum numbers of connected motors	3 motors (optionally 2 extendible)
EU-type examination certificate	DE-18-MI006-PTB001 (MID)

WEIGHING DETAILS

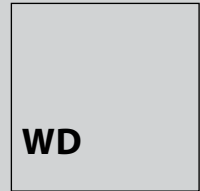
	Weigh Cell (Type)	GWR (Gross weighing range)	Dead load max.	e (Min. calibration value)	d (Displayed value)	Standard deviation²⁾ (1s)	n (Scale division)
HC-M-WD-4000-3	EC-3002-2	3,750 g	12,000 g	≥ 0.5 g	≥ 0.05 g	from 100 mg	7,500
HC-M-WD-4000-2	EC-4002-2	7,500 g	15,000 g	≥ 1.0 g	≥ 0.1 g	from 100 mg	7,500

1) Optionally, surcharge

2) Depending on product shape, product behavior, transport speed and environmental condition

TECHNICAL DATA

HC-M **WD**



CONVEYOR DIMENSIONS

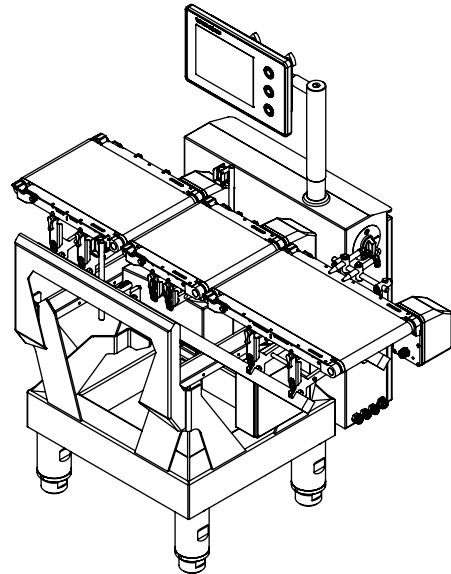
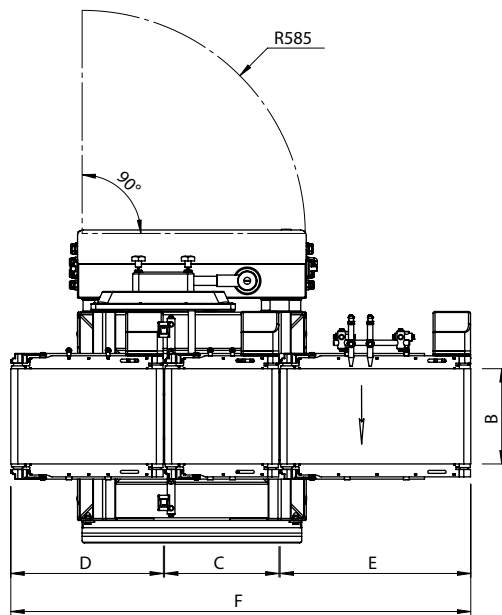
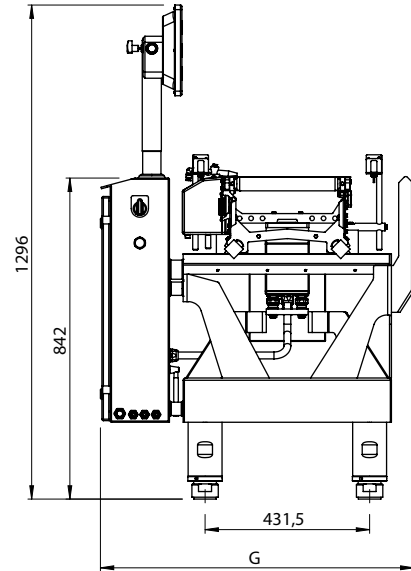
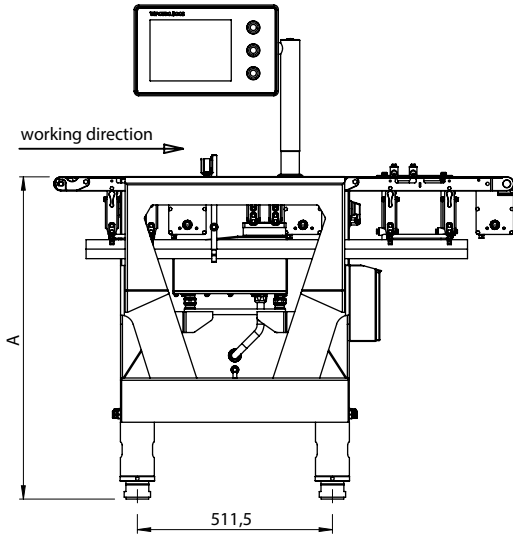
		Dimensions weighing conveyor		
length \ width		150 mm	250 mm	350 mm
250 mm ¹⁾		X	-	-
300 mm		X	X	-
400 mm		-	X	X
500 mm		-	X	X

		Dimensions infeed / outfeed conveyor		
length \ width		150 mm	250 mm	350 mm
250 mm ¹⁾		X	-	-
300 mm		X	X	-
400 mm		X	X	X
500 mm		X	X	X
600 mm		X	X	X

1) Optionally, surcharge

MACHINE DIMENSIONS

HC-M **WD**



A = Working height¹⁾	700 - 1,085 mm ¹⁾
B = Conveyor width	150 / 250 / 350 mm
Conveyor technology VA35WA	roller diameter 35 mm
C = Weighing conveyor length	250 ²⁾ / 300 / 400 / 500 mm
D = Infeed conveyor length	250 ²⁾ / 300 / 400 / 500 / 600 mm
E = Outfeed conveyor length	250 ²⁾ / 300 / 400 / 500 / 600 mm
F = Total length	D + C + E + 10 mm
G = Total width	830 mm depending on machine configuration

1) Working height must be specified when ordering

2) Optionally, surcharge

These specifications are reference values of the standard machine excluding application- or weighing-specific add-on parts.
All entries in mm | Drawing shows design example

PERSONAL NOTES



